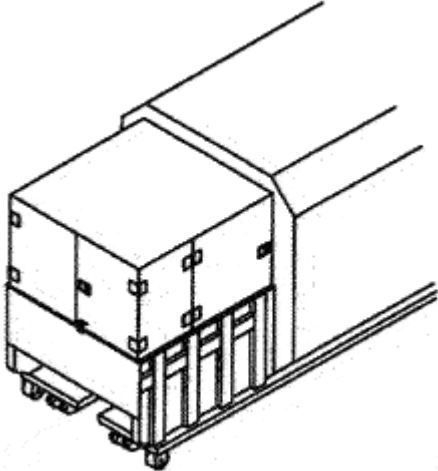
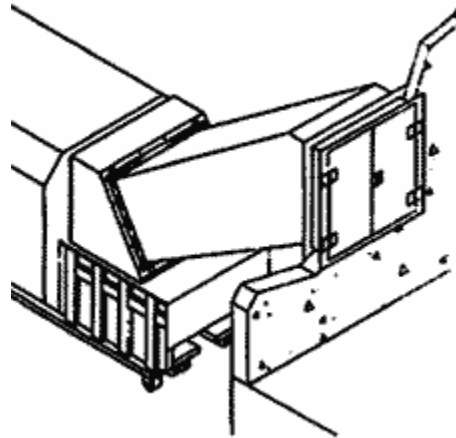




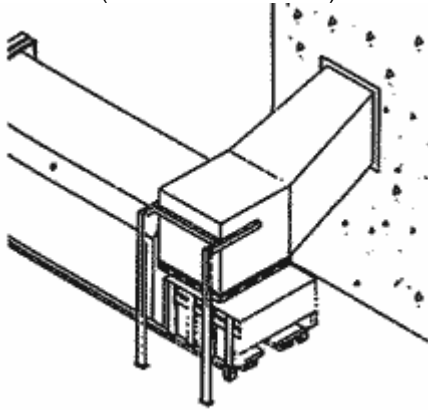
Self Contained Compactors
Standard Installations



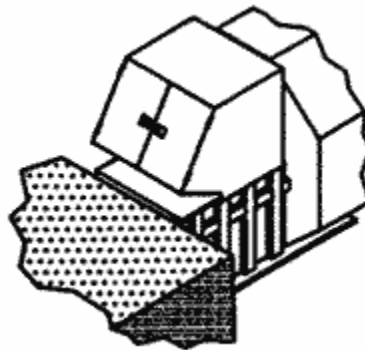
Ground loading 3-door lockable dog house enclosure
(2-door also available)



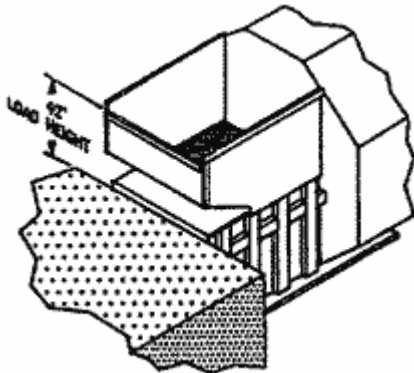
Over the rear suspended security chute with inside
U/L security fire door



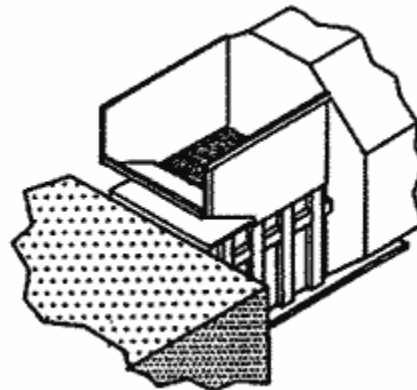
Over the side suspended security chute with inside
U/L security fire door



Dock loading 2-door lockable bulkhead dog house
enclosure requires interlock switches



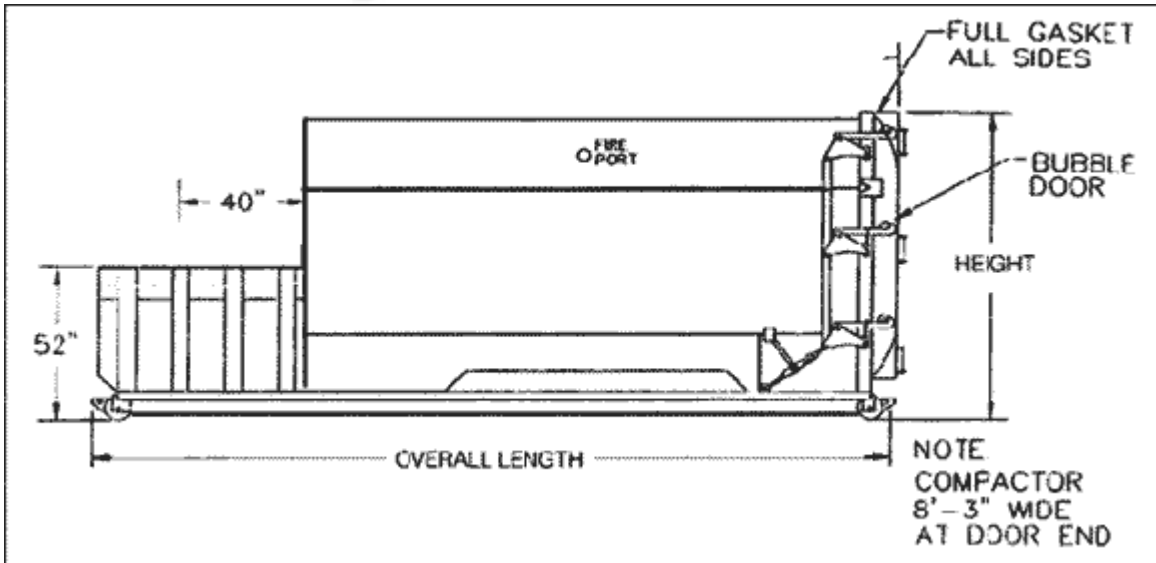
Dock loading open hopper extension



Dock loading open low hopper extension



Self Contained Compactors Specifications



APPROXIMATE SPECIFICATIONS

	20 Cubic yard	35 Cubic yard
CAPACITY IN CUBIC YARDS:	20	35
OVERALL LENGTH:	15'-10"	23'-5"
HEIGHT:	8'-8"	8'-8"
HOPPER SIZE:	L-40", W-60", D-36" -Two cubic yard	

